

# Filter-fan module from tobacco smoke of type BFV-TS

**Filter-fan module of type BFV-TS** is used for removals and cleaning of air with tobacco smoke from smoking rooms of type SK (look the catalogue of company “Air Filters F”). These modules also may be used in special zones for smoking wherever in living, public, administrative and others premises.

Modules of type BFV-TS are manufacturing in horizontal and vertical versions for accommodation in ceilings or as separately located modules (decorating under a column is possible).



Modules of type BFV-TS are equipped with operating case, which established the necessary charge of air. The module may to have the system of indicating the smoking people presence and switched off after full clearance of air in premise and absence of smocking people automatically.

## CHARACTERISTICS

Table 1

№ п./п.	Parameters	Value of parameters	
		Versions	
		BFV-TS-01	BFV-TS-02
1.	Air flow, m <sup>3</sup> /h	300-800	300-800
2.	Sound level, dB *	40-55	40-55
3.	Capacity, Wt	250	250
4.	Dimensions, mm:		
	length, L	665	1760
	width, B	462	690
	height, H	1990	462
5.	Weight, kg	125	125

\* The sound level is determined on distance of 1m from block.

Marking

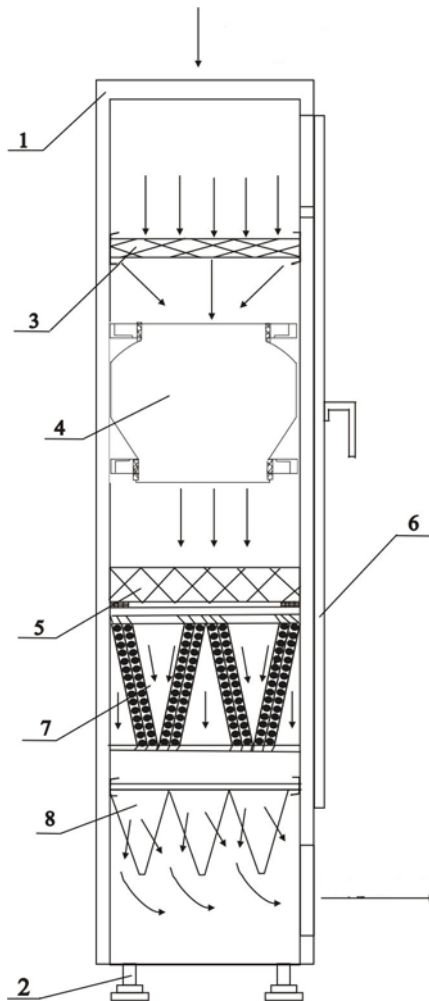
BFV-TS-01

01 - vertical version;

02 – horizontal version;



## GENERAL DESIGN



**Fig. 1** Scheme of filter-fan module in vertical version.

1 - body; 2 – support; 3 – filter of type PGF; 4 – ventilator; 5 – filter of type HEF; 6 – cover demountable;  
7 – carbon - chemical filter; 8 – ionic filter.

## MAINTENANCE

All filters of multistage filtration system become soiled in operation and should be replaced on new.

On operation experience filters should be replaced once a 1-1,5 year. At more intensive operation filters should be replaced more often.

Filters replaced after opening of demountable cover 6 (fig.1) and it can be made by personal without any special qualification.