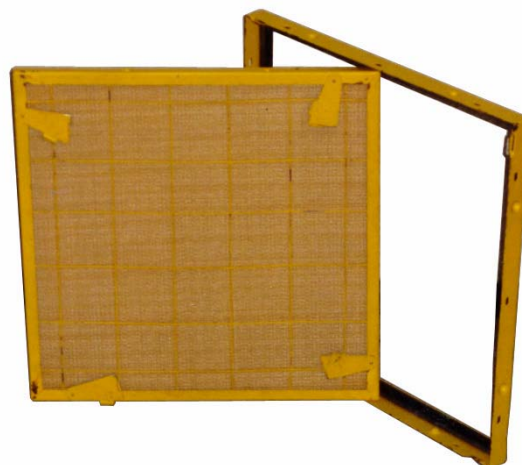
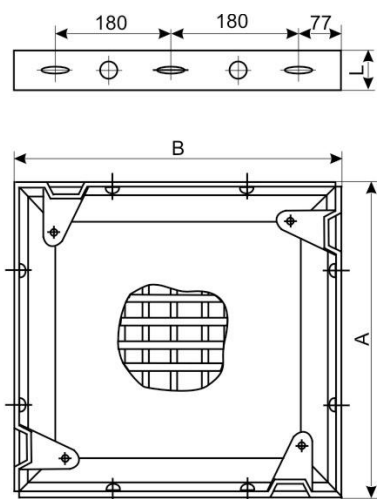


Mesh filters of type ФяРБ, ФяВБ, ФяПБ, ФяУБ

Filters of ФяРБ, ФяВБ, ФяПБ, ФяУБ are used for cleaning of supply and recirculation air in systems of air-conditioning and ventilation.



Scheme of filters ФяРБ, ФяВБ, ФяПБ, ФяУБ

CHARACTERISTICS

PARAMETER	ФяРБ(М)	ФяВБ(М)	ФяПБ	ФяУБ
Throughput, m ³ /h, not greater	1540	1540	1540	1540
Unit air load, m ³ /(h•m ²)	7000	7000	7000	7000
Initial pressure drop, Pa, not greater	50	60	60	40
Filter class by EN 779 (Eurovent 4/9)	G2(EU2)	G2 (EU2)	G2 (EU2)	G2(EU2)
Recommended final pressure drop, Pa, not greater	150	150	150	130
Dimensions, mm, not greater				
height A	514	514	514	514
width B	514	514	514	514
depth L	50 (32)	32	32	32
Type of filter media	Metal meshes	Viniplast meshes	PPY	Fiberglass
Rinsing of filter media	Rinsing	Rinsing	Rinsing	Is not rinsing
weight, kg, not greater	6,0	4,2	3,4	2,8

The filters are operational and keep their characteristics at air temperature from -40⁰C to +40⁰C.



NPP "Folter" 127238, Dmitrovskoye shosse, 46, k.2, Moscow, Russia
tel. +7 495 730-81-19, fax. +7 495 482-27-01, e-mail: folter@folter.ru
www.folter.ru

GENERAL DESIGN

Filters (fig. 1) consist of cells and adjusting framework. In the case of the cell filter media is laid. Cell of the filter is fixed in adjusting frame by the four latches placed in a case of cells.

Filters can be mounted in flat or angular panels of УС Фя type and in another equipment. Cell of the filter is taken from adjusting framework before installation. Adjusting framework is fixed in panels or in another design through rubber linings with the help of bolts, established in 12 apertures of the framework. After frame installation cell of the filter located in it and fixed by latches.

MAINTENANCE

When filters are in operation it is necessary to check their pressure drop by readings of manometer attached to connecting pipes, arranged in walls of air cleaning chambers before and after filters.

Upon reaching pressure difference recommended for this filter, or based on available system pressure, it is necessary to regenerate filter.

For regeneration of filter it is necessary to install cells from adjusting frameworks. Cells of ФяВБ, ФяРБ, ФяПБ filters rinsing with warm water. For improvement of rinsing it is necessary to add surface-active substances in water, for example 10% of caustic soda. Filter media of ФяУБ filters is necessary to replace on new.

